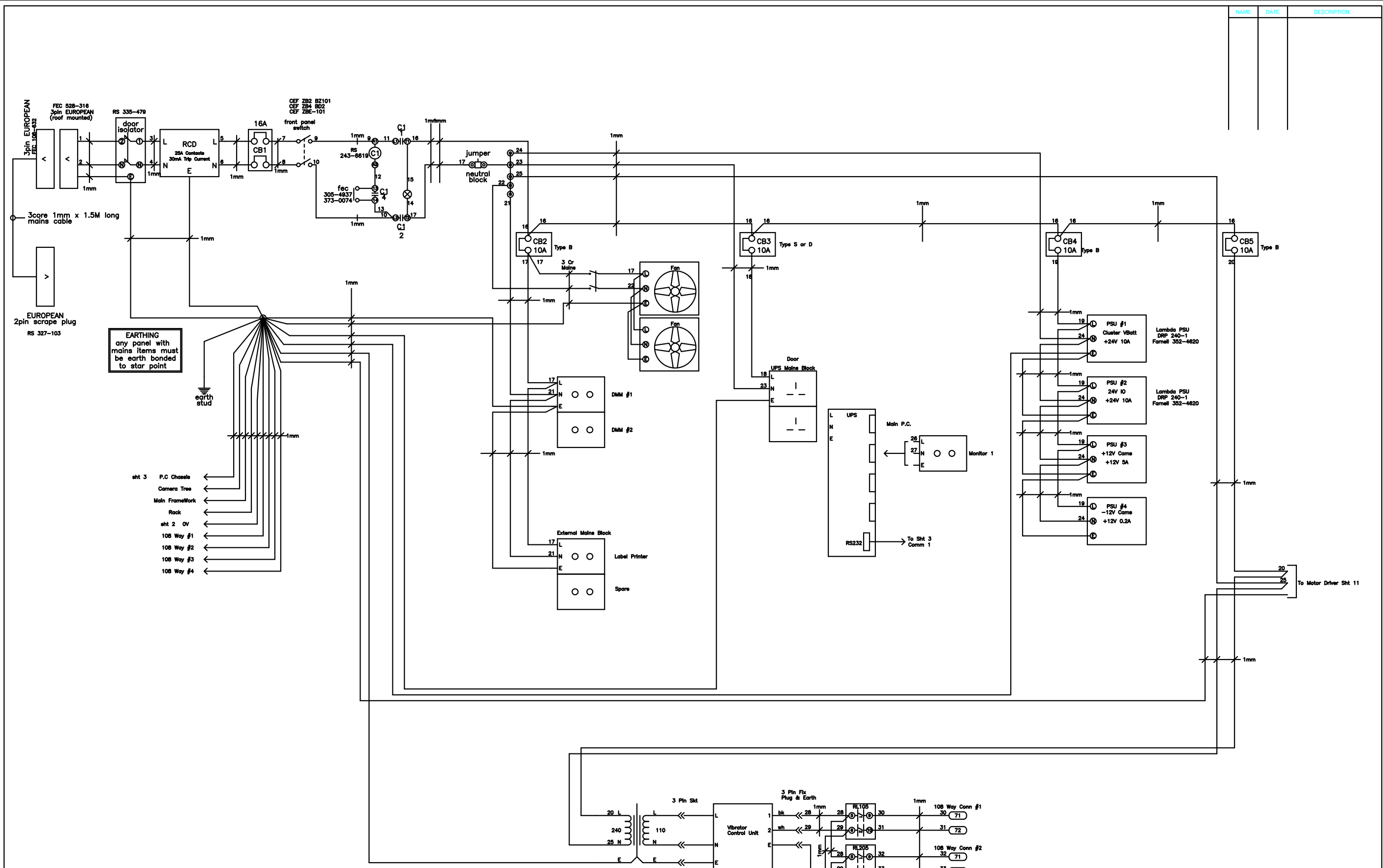
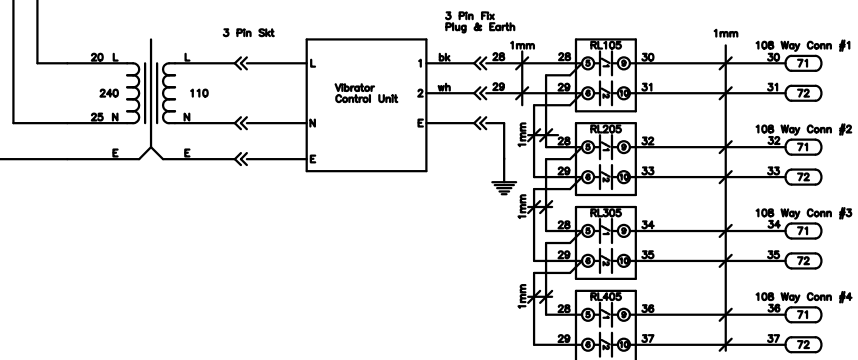


NAME	DATE	DESCRIPTION



EARTHING
any panel with
mains items must
be earth bonded
to star point

- sh 3 P.C Chassis
- Camera Tree
- Main Framework
- Rack
- sh 2 OV
- 108 Way #1
- 108 Way #2
- 108 Way #3
- 108 Way #4



<p>This drawing must not be copied or reproduced without the written permission of ALPHR Technology Ltd.</p> <p>Notes: 1) All wiring to be 16/0.2 unless stated otherwise 2) Mains wiring to be loomed separately 3) 240V a.c. line = red, neutral = black, earth = green/yellow 4) Wire numbers used on this sheet 5) Spare wire numbers on this sheet</p>	AUTHOR	P. Jones
	DATE	24 October 2006
	ISSUE NO	A SHEET NO 1 OF 12
	COMPANY	Viteon
	PROJECT	C394
RIG	4 Head Auto Tester	
TITLE	Mains	
WORKS ORDER	W/O 606096	